

# WaterGO

FLOW-SLEVEL-PRESSURE  
GSM DATALOGGER

[www.enelsan.com](http://www.enelsan.com)

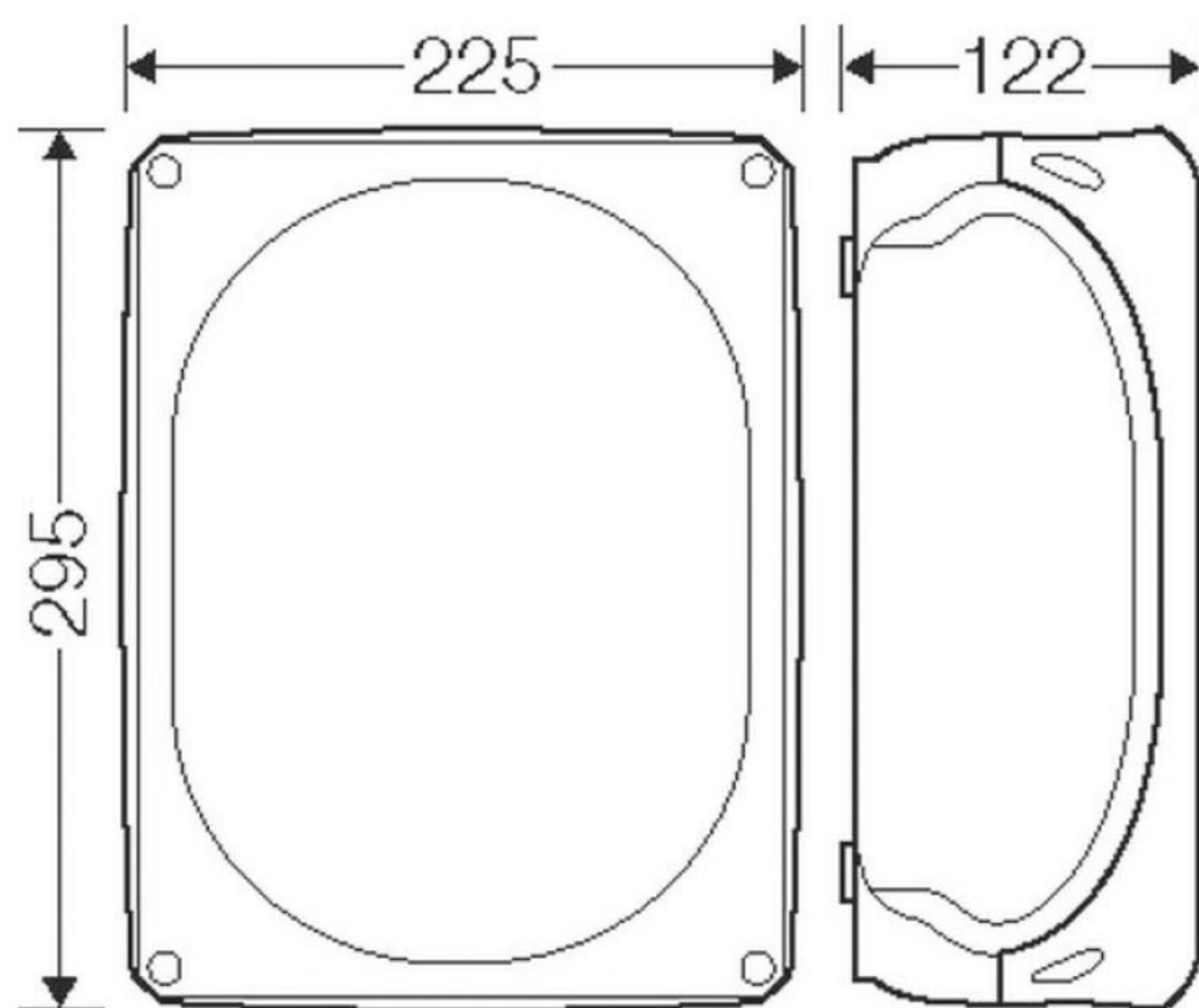
# enelean

*We Measure*



## General Features

<b>Pressure</b>
Measuring Range: 0-25 Bar
Measuring Accuracy: %0,25
Sensor Input: 1 Piece
<b>Flowmeter</b>
Connection Type: Modbus RTU (opt. 4-20 mA)
<b>Level</b>
Connection Type: Mosbus RTU or 4-20 mA
<b>Temperature</b>
Measuring Range: -40 to 120
Accuracy: +- %2, %rH
Resolution: +- 00,1 %rH
<b>Humidity</b>
Measuring Range: 0-100 %rH
Accuracy: +- %2, %rH
Resolution: +- 0/00,1 %rH
<b>Others</b>
Analog Input: 2pcs 4-20 mA
Sensor Input: 2 Temperature/Humidity
Modbus: 2 Port Modbus RTU
Relay Output: 4 pcs 220V 5A AC
Logic Input: 2 pcs
<b>GSM Communication</b>
Quad-band: 850/900/1800/1900 MHz
GPRS Multi-Slot Class: 12
GPRS Mobile Station: Class B
Working Temperature: -20 to 70
Memory: 100.000 Records
10 Years Record Saving
Box: IP68 Protection Class-Sealable



- ▶ The device is designed to connect measurement equipment such as flowmeter, pressure transmitter, level transmitter and to transfer their data to the central software with a special protocol.
- ▶ Recording and web sending of all data read on the device times can be adjusted.
- ▶ With the modbus protocol, 16 parameters can be read and recorded in the device.
- ▶ 32 alarms can be set on the device.
- ▶ All parameters can be assigned independently of the set alarms.
- ▶ 4 relays on the device can be configured according to these 32 alarms.
- ▶ The device works based on GSM.
- ▶ In alarm situations, it sends an information message to the user via SMS.
- ▶ All settings of the device can be adjusted via the website.
- ▶ At the same time, desired settings can be made to the device via SMS.
- ▶ The desired data from the device can be read quickly via SMS.
- ▶ The settings of the device with modbus protocol connected to the device can be changed on the website.
- ▶ From the logic inputs on the device, on / off information can be obtained from a desired system.
- ▶ SMS or alarm can be created in line with the information received from the logic inputs.
- ▶ There is an internal battery on the device.
- ▶ In case of power cut, it can send data 24 hours a day at specified intervals.
- ▶ With the screen inside the device, battery-network-transmission status can be monitored.
- ▶ There is a real time clock on the device.
- ▶ Time and date information can be updated over the web. All data sent by the device to the website reports can be made.
- ▶ Data can be obtained in Graphic - PDF - Excell format.
- ▶ The device can be fully controlled via the website, and all settings can be made online. The relay can be turned on/off manually.
- ▶ Measurements can be taken from 2 points with 2 temperature and humidity sensors in the device. (Ops.)
- ▶ There are 2 Rs485 Communication ports.
- ▶ Datalogger protection box is Ip68 class and can be hung on the wall. It is produced from high-strength PC-GFS (polycarbonate) material according to IEC60670-22 and DNV-GL standards.
- ▶ Pressure transmitter outputs have push-fit connectors. 6mm. Suitable for hose.

# FLOW-SLEVEL-PRESSURE GSM DATALOGGER

## Saha Uygulamaları



FLOW-SLEVEL-PRESSURE GSM DATALOGGER

