

RADAR OPEN CHANNEL FLOWMETER

www.ensan.com

enelean
We Measure



RADAR AÇIK KANAL DEBİMETRE

It uses radar planar microwave technology to measure the velocity and level of water in a non-contact manner.

According to the built-in software algorithm, calculate and output the instantaneous cross-sectional flow and accumulated flow, and at the same time, it can output the flow velocity and water level, easily connect to the telemetry platform and view the measurement information on the.

Radar flowmeter uses planar microwave technology, uses the principle of Doppler radar to measure the surface velocity of water flow, and uses the built-in microstrip radar technology to measure the water level.

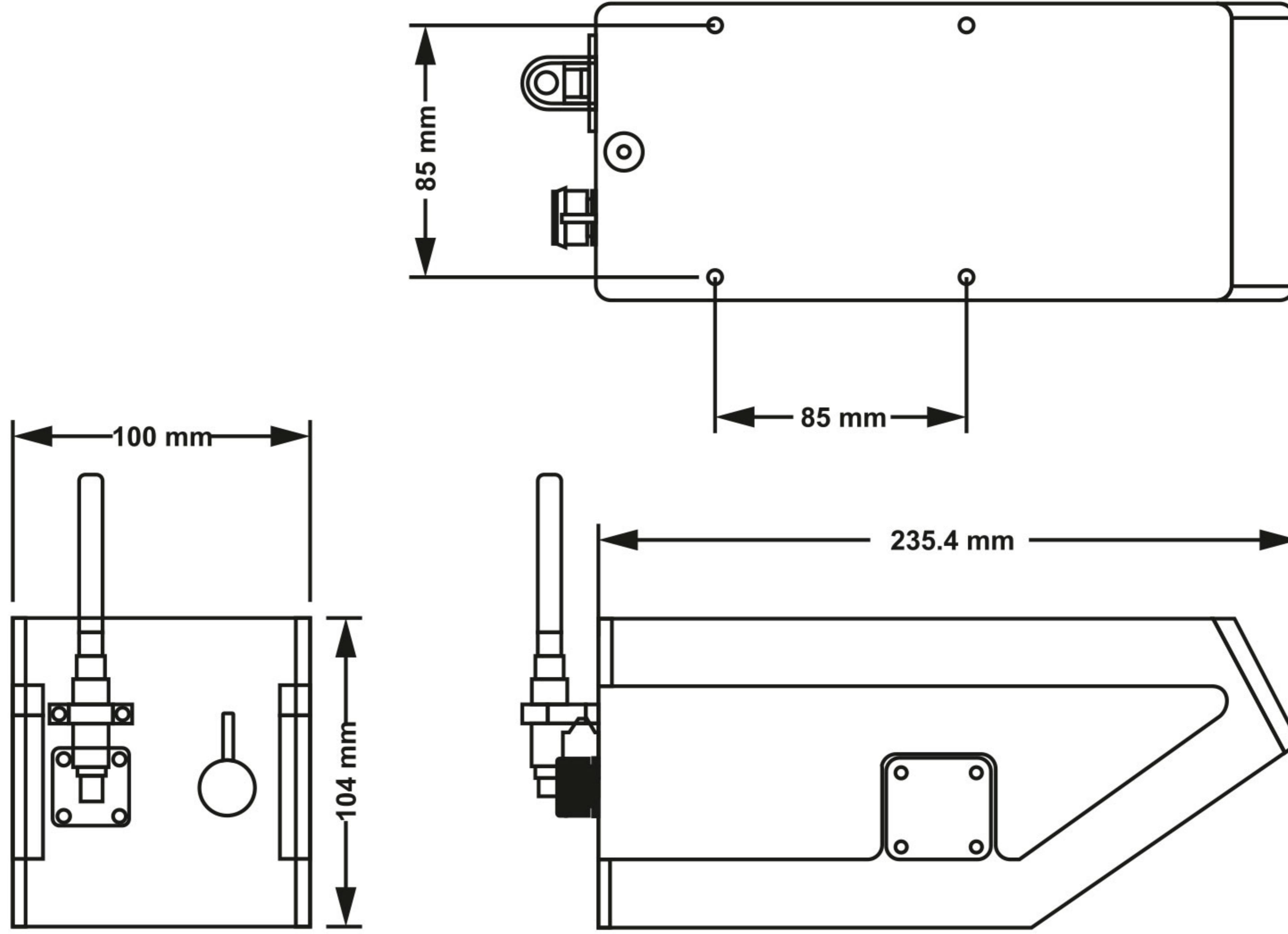
Take flow; it is a non-contact flow measuring instrument that accurately measures the flow without changing the boundary conditions of channels, rivers, pipes, etc.



Radar flowmeter uses planar microwave technology, uses the principle of Doppler radar to measure the surface velocity of water flow, and uses the built-in microstrip radar technology to measure the water level.

RADAR AÇIK KANAL DEBİMETRE

Technical Data



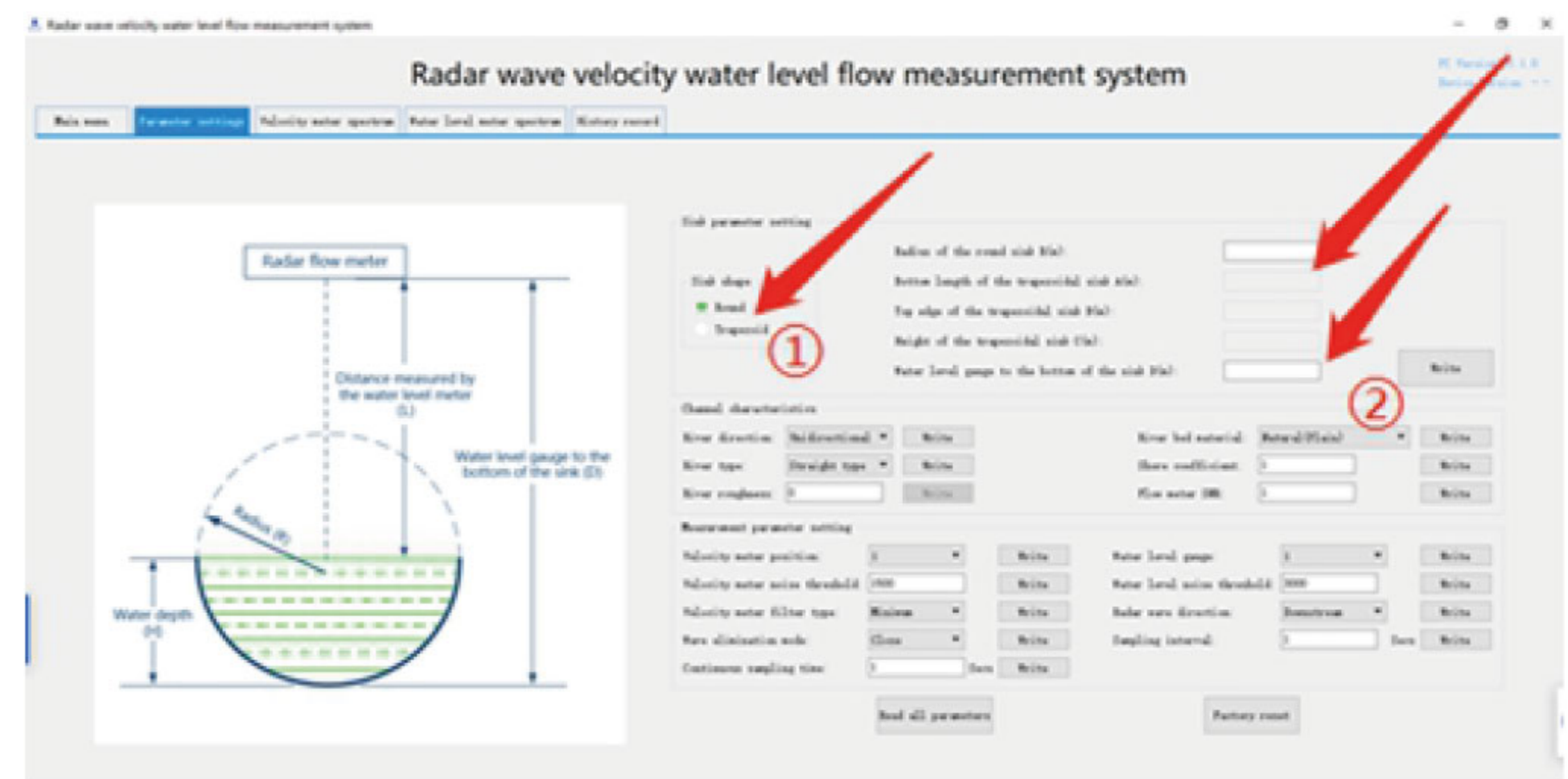
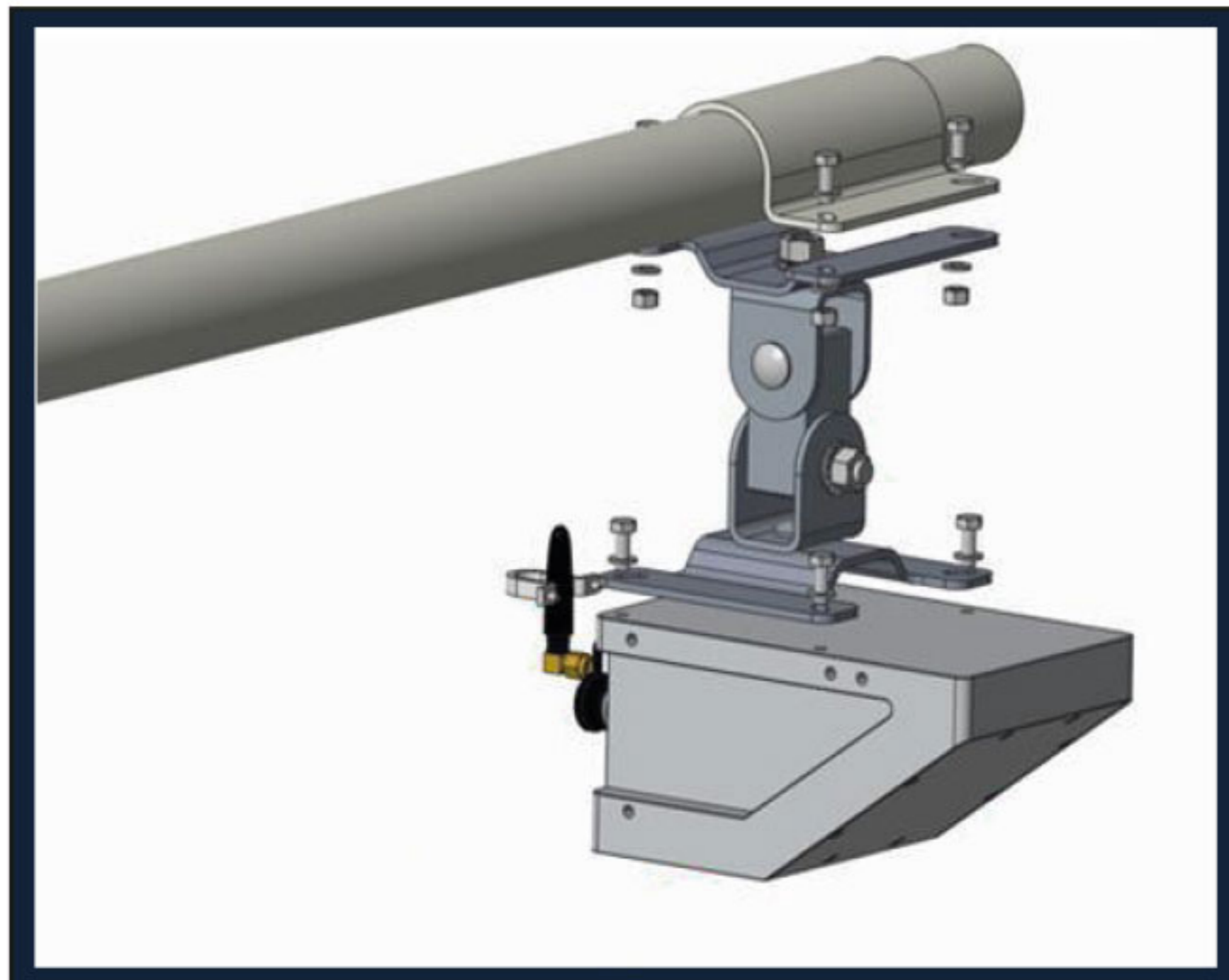
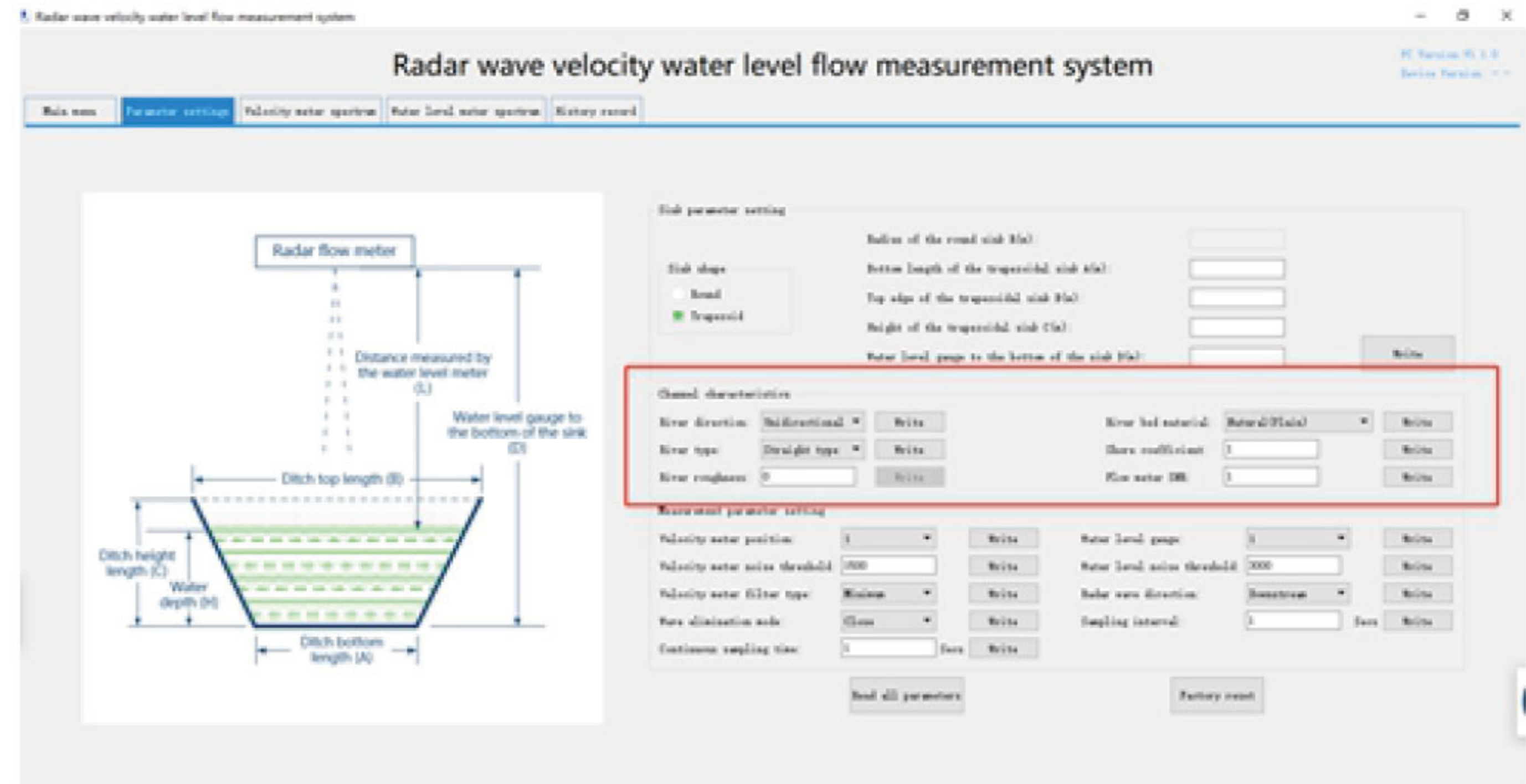
Technical Specifications	
Measuring Mode	Manual, Automatic, Telemetric
Operating temperature	-30 ... +80 °C
Feed Range	7 ... 30 VDC
Supply Current	Measuring Mode <150mA, Standby Mode <1mA
Communication	RS232/RS485, 4-20mA
Radar Speed Sensor	
Radar Power	100mW
Radar Frequency	24 GHz
Maximum Level	35m
Speed Mea. Range	0.03-20 m/sn
Speed Mea. Accuracy	0.01 m/sn
Antenna Angle	12°
Measurement Direction	Water flow direction automatic detection and built-in vertical angle correction feature
Radar Level Sensor	
Radar Power	100mW
Radar Frequency	24 GHz
Maximum Level	35m
Level Mea. Range	1.5-40 m
Level Mea. Accuracy	<+-1cm
Antenna Angle	11°

RADAR AÇIK KANAL DEBİMETRE

SOFTWARE/ASSEMBLY

Flow Meter Software Parameters

- Measurement Parameter Setting
- Section Editing
- Manual Measurement
- Real time data retrieval
- Report
- Statistics
- Flow Curve
- Alarm
- 120 GB (at least 2 years) data storage



It can be mounted on existing building parts such as bridges, beams, metal poles. Product speed during assembly the detection radar sensor should be mounted directly opposite the stream. Radar speed The angle formed by the sensor with the flow should be less than 60° . The sensor that measures the water level is perpendicular to the surface to be measured.

