

# CORIOLIS MASS FLOWMETER

[www.ensan.com](http://www.ensan.com)

# enelean

*We Measure*



# CORIOLIS MASS FLOWMETER

CORIOLIS MASS FLOWMETER



Coriolis mass flowmeters are the leading precision flow and density measurement solution offering the most accurate and repeatable mass measurement for liquids, or slurries. Meters offer the most accurate measurement available for virtually any process fluid, while exhibiting exceptionally low pressure drop.

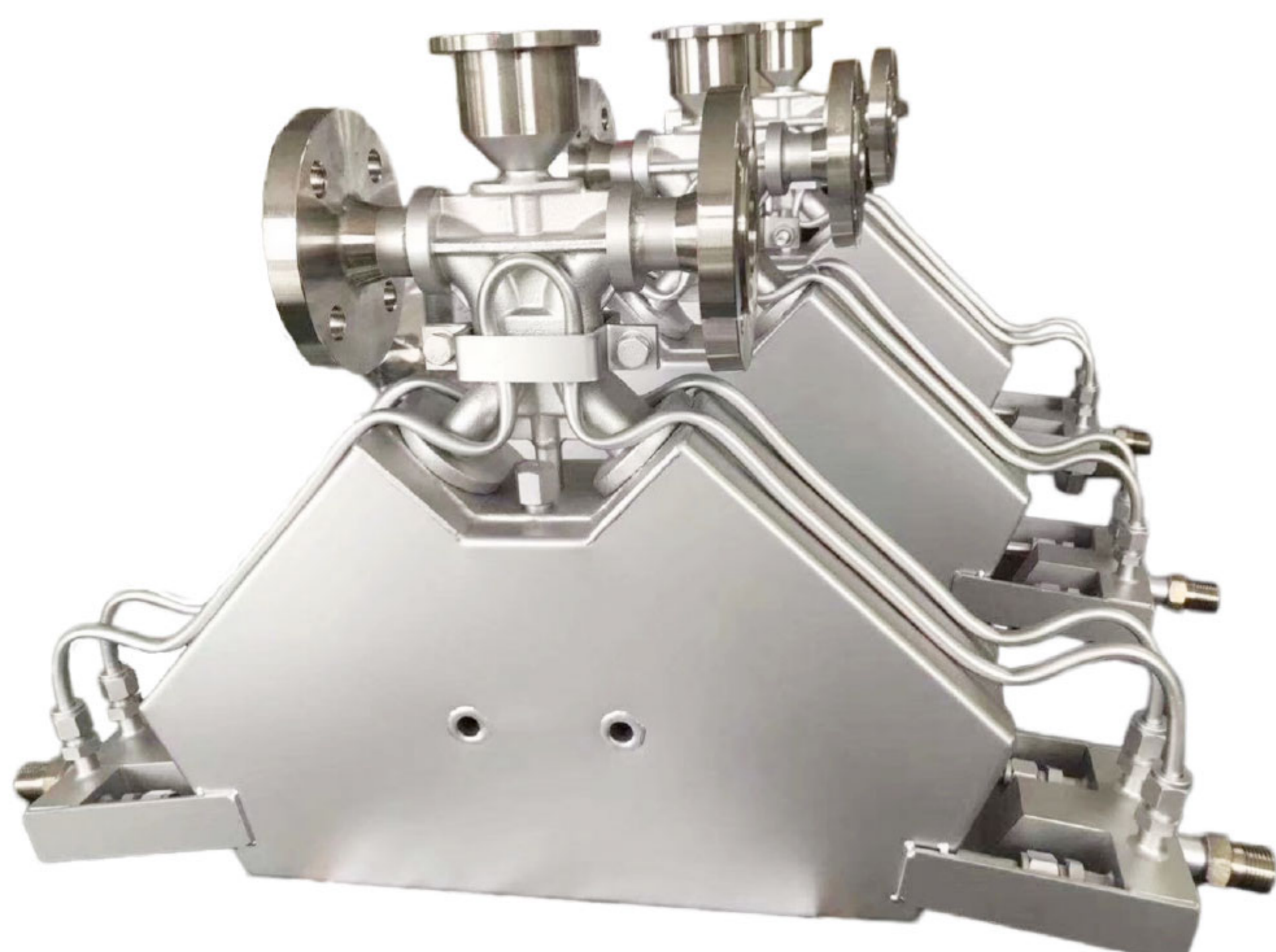
## FEATURES

- Unchallengeable performance on liquid mass flow, volume flow, and density measurement
- Unique design delivers unparalleled measurement sensitivity and stability
- Guarantees consistent, reliable performance over the widest flow range
- Designed to minimize process, mounting, and environmental effect

## APPLICATIONS

| Low Flow Precision Measurement   | Precision Measurement & Process Control  | High Capacity Precision Measurement   |
|--|--|---|
| Starting at 9.6kg/hr to 120kg/hr<br>Flavoring<br>Vials<br>Chemical injection | Kg/min – tons/hr<br>Truck loading<br>Internal allocation<br>Leak detection<br>Produced fluids with chlorides | Up to 360 tons/hr<br>Custody transfer<br>Ship loading<br>Railcar loading<br>Pipeline measurement<br>Marine bunkering<br>Feedstock and fuel blending |

| SENSOR FEATURES               |   |
|-------------------------------|---|
| Precision:                    | ±0.1-0.5%   |
| Repeatability:                | ±0.1-0.25%  |
| Density Measurement Range:    | 0.3-3 g/cm <sup>3</sup>                                     |
| Density Measurement Accuracy: | ±0.002 g/cm <sup>3</sup>                                    |
| Fluid Temperature:            | - 50 °C ... + 200 °C Standard -200 °C ... + 300 °C Optional |
| Ambient temperature :         | - 20 °C ... + 60 °C or -40 °C ... + 60 °C                   |
| Measuring Tube:               | SS316L  |
| Body:                         | SS304   |
| Pressure:                     | 4.0MPA standard   |
| Protection:                   | Exd (ia) il C T6Gg  |

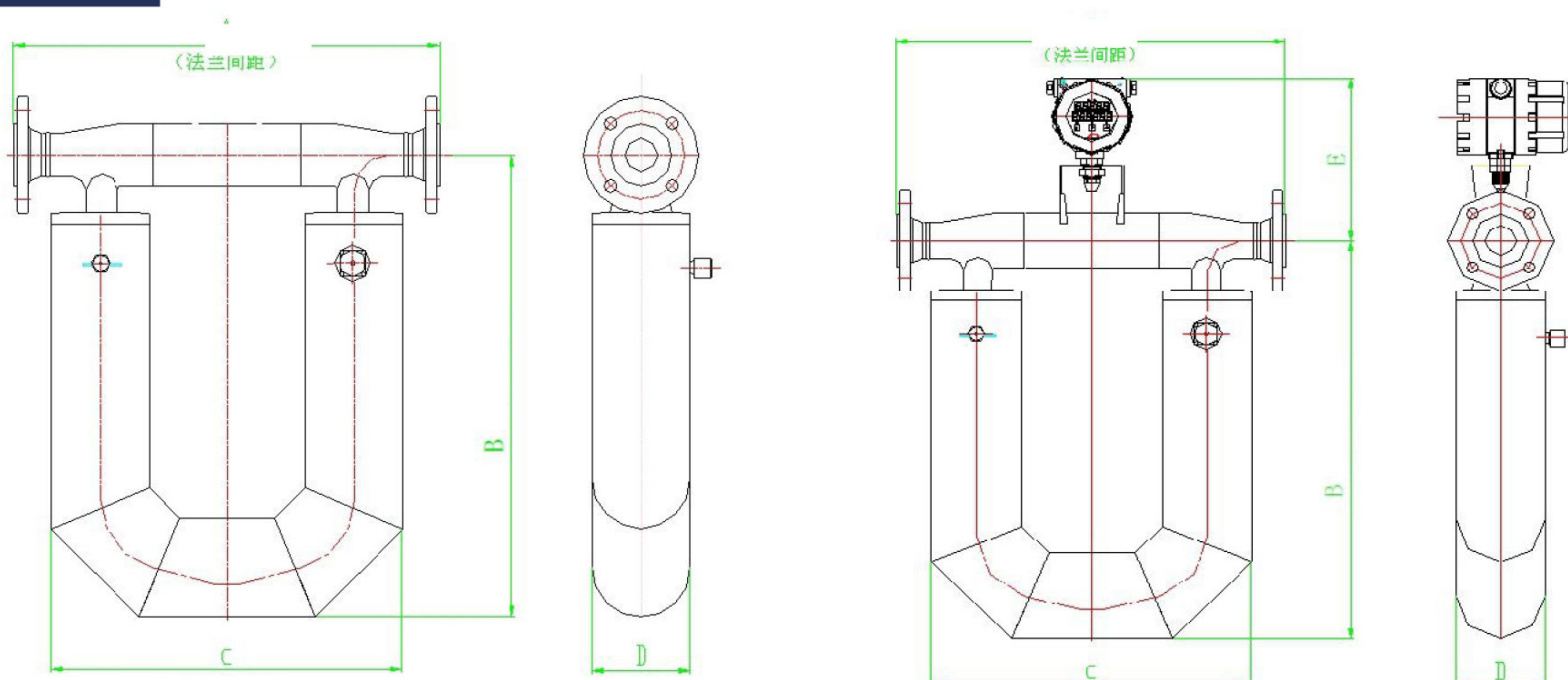


# CORIOLIS MASS FLOWMETER

## TRANSMITTER SPECIFICATIONS

|                     | GT-521 LED  | GT-522 LCD  | GT-523 Dijital LCD  |
|---------------------|---|---|---|
|                     |  |  |        |
| Principle           | Analog signal processing  | Analog signal processing  | Digital signal processing<br>1.MVD technology<br>2.Higher sampling<br>3.Digital filtering |
| Medium temperature  | -200~+300°C   | -200~+300°C   | -200~+200°C   |
| Ambient temperature | -40~60°C  | -20~60°C  | -20~60°C  |
| Display info        | Mass flow; Volume flow, Density   | Mass flow; Volume flow, Density<br>Temperature                                      | Mass flow; Volume flow, Density,<br>Temperature   |
| Display mode        | LED   | LCD   | LCD   |
| Power supply        | 24VDC/220VAC  | 24VDC/220VAC  | 24VDC/245VAC  |
| Output signal       | Pulse/4-20mA  | Pulse/4-20mA  | Pulse/4-20mA  |
| Communication       | Modbus  | Modbus/HART   | Modbus/HART   |
| Ex-Proof            | Ex d (ia) II C T6Gb   | Ex d (ia) II C T6Gb   | Ex d (ia) II C T6Gb   |

## DIMENSION

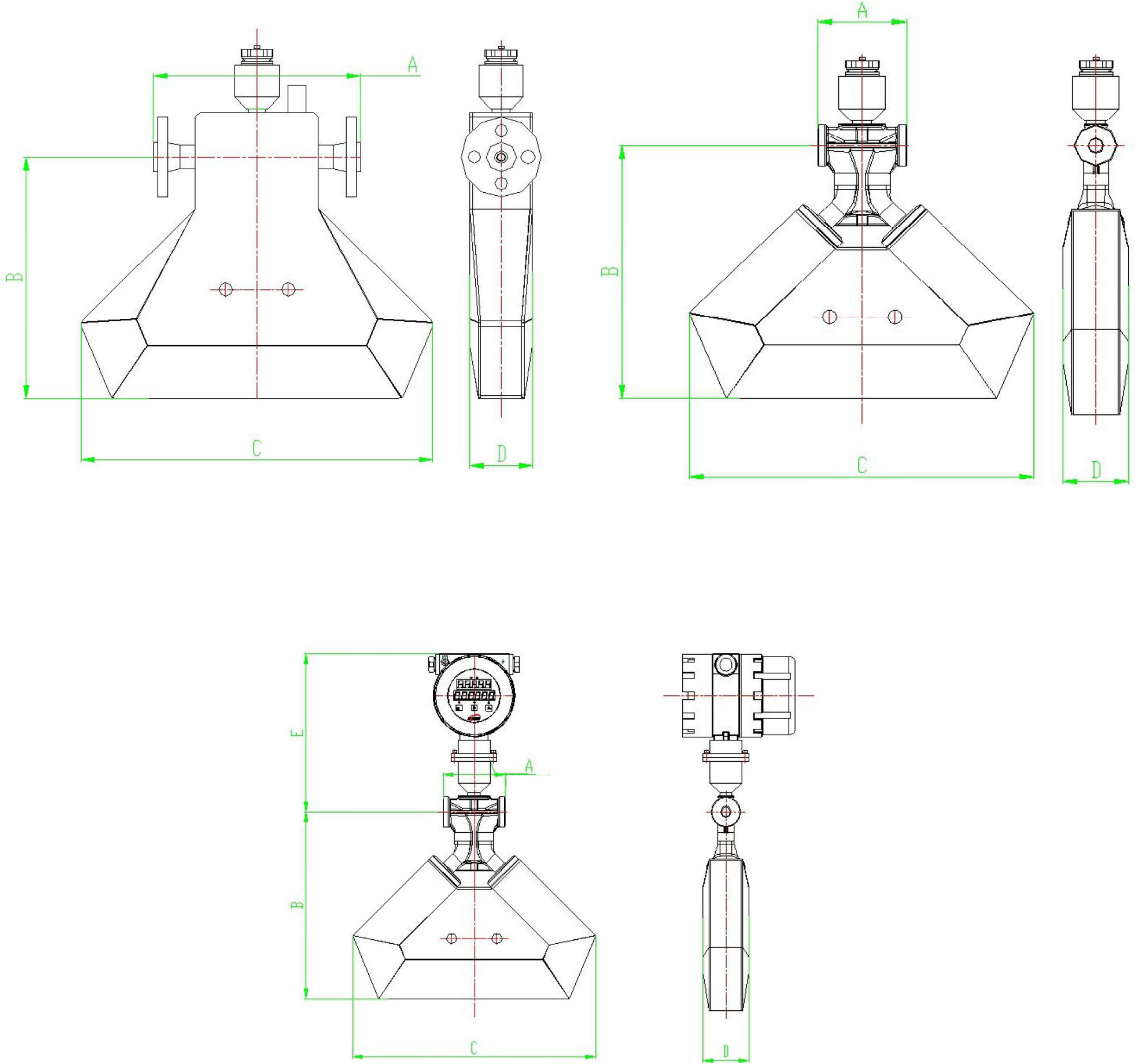


| MODEL       | A    | B    | C    | D   | E   | NW   |
|-------------|------|------|------|-----|-----|------|
|             | mm   | mm   | mm   | mm  | mm  | kg   |
| ETRANS -010 | 450  | 324  | 380  | 60  | 236 | 7.2  |
| ETRANS -015 | 456  | 324  | 380  | 60  | 236 | 7.5  |
| ETRANS -020 | 540  | 478  | 468  | 108 | 245 | 17   |
| ETRANS -025 | 540  | 492  | 468  | 108 | 245 | 17.5 |
| ETRANS -032 | 544  | 517  | 468  | 108 | 245 | 24   |
| ETRANS -040 | 600  | 635  | 500  | 140 | 267 | 32   |
| ETRANS -050 | 606  | 653  | 500  | 140 | 267 | 36   |
| ETRANS -080 | 866  | 857  | 779  | 219 | 316 | 87.5 |
| ETRANS -100 | 950  | 977  | 833  | 273 | 340 | 165  |
| ETRANS -150 | 1300 | 1223 | 1144 | 324 | 340 | 252  |
| ETRANS -200 | 1300 | 1380 | 1220 | 400 | 358 | 350  |

# CORIOLIS MASS FLOWMETER

CORIOLIS MASS FLOWMETER

## DIMENSION



| MODEL       | A   | B   | C   | D    | E   | NW  |
|-------------|-----|-----|-----|------|-----|-----|
|             | mm  | mm  | mm  | mm   | mm  | kg  |
| ETRANS -003 | 196 | 176 | 250 | 54   | 270 | 4.8 |
| ETRANS -006 | 250 | 263 | 360 | 70.5 | 289 | 8.1 |
| ETRANS -008 | 250 | 275 | 395 | 70.5 | 289 | 8.2 |
| ETRANS -010 | 95  | 283 | 370 | 70.5 | 264 | 6.5 |
| ETRANS -015 | 95  | 302 | 405 | 70.5 | 264 | 6.5 |

# CORIOLIS MASS FLOWMETER

## SELECTION CHART

| Model                | 1    | 2 | 3 | 4 | 5 | 6 | 7 | 8 | 9 | 10 | 11 | Description        |
|----------------------|------|---|---|---|---|---|---|---|---|----|----|--------------------|
| ETRANS               |      |   |   |   |   |   |   |   |   |    |    |                    |
| Diameter             | 003  |   |   |   |   |   |   |   |   |    |    | DN3                |
|                      | 006  |   |   |   |   |   |   |   |   |    |    | DN6                |
|                      | 008  |   |   |   |   |   |   |   |   |    |    | DN8                |
|                      | 010  |   |   |   |   |   |   |   |   |    |    | DN10               |
|                      | 015  |   |   |   |   |   |   |   |   |    |    | DN15               |
|                      | 020  |   |   |   |   |   |   |   |   |    |    | DN20               |
|                      | 025  |   |   |   |   |   |   |   |   |    |    | DN25               |
|                      | 032  |   |   |   |   |   |   |   |   |    |    | DN32               |
|                      | 040  |   |   |   |   |   |   |   |   |    |    | DN40               |
|                      | 050  |   |   |   |   |   |   |   |   |    |    | DN50               |
|                      | 080  |   |   |   |   |   |   |   |   |    |    | DN80               |
|                      | 100  |   |   |   |   |   |   |   |   |    |    | DN100              |
|                      | 150  |   |   |   |   |   |   |   |   |    |    | DN150              |
|                      | Kind |   | C |   |   |   |   |   |   |    |    |                    |
|                      |      | R |   |   |   |   |   |   |   |    |    | Separate           |
| Fluid Temperature    |      |   | N |   |   |   |   |   |   |    |    | -50...+200°C       |
|                      |      |   | H |   |   |   |   |   |   |    |    | -50...+300°C       |
|                      |      |   | L |   |   |   |   |   |   |    |    | -200...+200°C      |
| Pressure             |      |   |   | 1 |   |   |   |   |   |    |    | 1.6MPa             |
|                      |      |   |   | 2 |   |   |   |   |   |    |    | 2.0MPa             |
|                      |      |   |   | 4 |   |   |   |   |   |    |    | 4.0MPa             |
|                      |      |   |   | Z |   |   |   |   |   |    |    | Customized         |
| Power Supply         |      |   |   |   | D |   |   |   |   |    |    | DC24V              |
|                      |      |   |   |   | A |   |   |   |   |    |    | AC220V             |
|                      |      |   |   |   | Z |   |   |   |   |    |    | 22-245V            |
| Output Signal        |      |   |   |   |   | R |   |   |   |    |    | Pulse/4-20mA/RS485 |
|                      |      |   |   |   |   | H |   |   |   |    |    | Pulse/4-20mA/HART  |
| Cable Entry          |      |   |   |   |   |   | M |   |   |    |    | M20x1.5            |
|                      |      |   |   |   |   |   | N |   |   |    |    | 1/2"NPT            |
|                      |      |   |   |   |   |   | Z |   |   |    |    | Customized         |
| Precision            |      |   |   |   |   |   |   | 1 |   |    |    | 0.1%               |
|                      |      |   |   |   |   |   |   | 2 |   |    |    | 0.15%              |
|                      |      |   |   |   |   |   |   | 3 |   |    |    | 0.2%               |
|                      |      |   |   |   |   |   |   | 4 |   |    |    | 0.5%               |
| Connection           |      |   |   |   |   |   |   |   | F |    |    | Flange             |
|                      |      |   |   |   |   |   |   |   | T |    |    | Gear               |
|                      |      |   |   |   |   |   |   |   | C |    |    | Tri-Clamp          |
|                      |      |   |   |   |   |   |   |   | P |    |    | Pipe Fittings      |
|                      |      |   |   |   |   |   |   |   | Z |    |    | Customized         |
| Explosion Protection |      |   |   |   |   |   |   |   |   | E  |    | Exd(ia)IICT6Gb     |
|                      |      |   |   |   |   |   |   |   |   | N  |    | -                  |
| Other                |      |   |   |   |   |   |   |   |   |    | Z  | Customized         |

