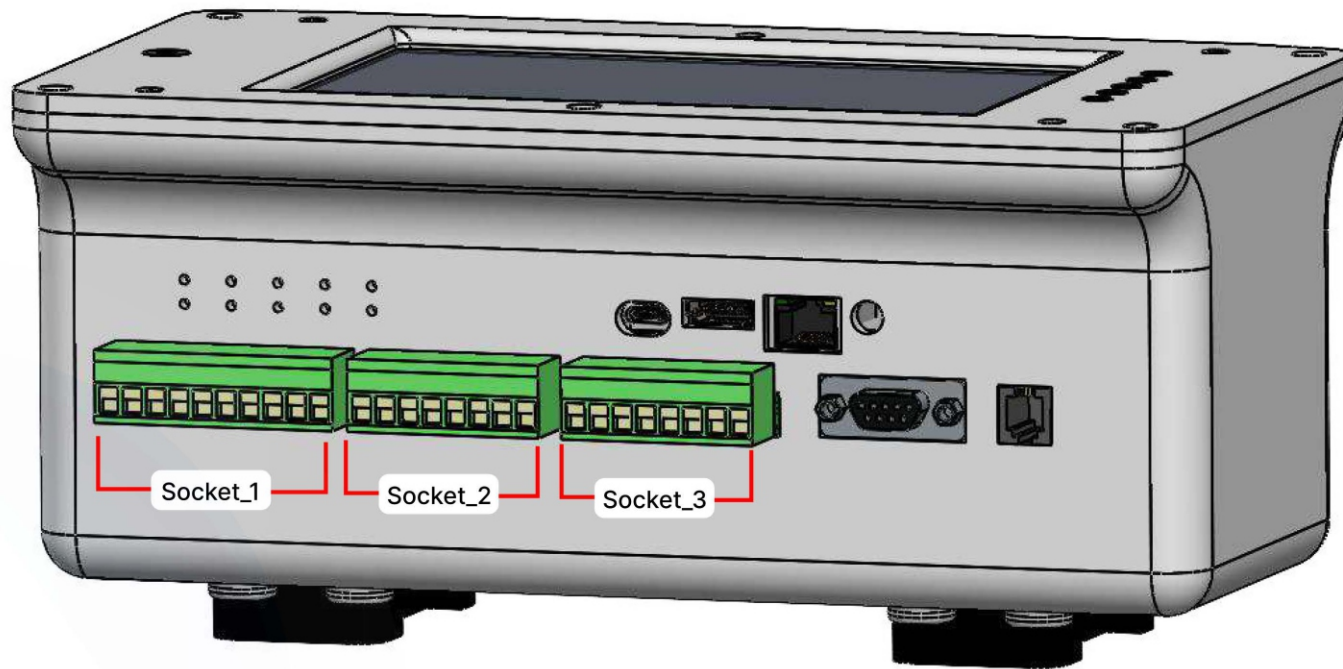
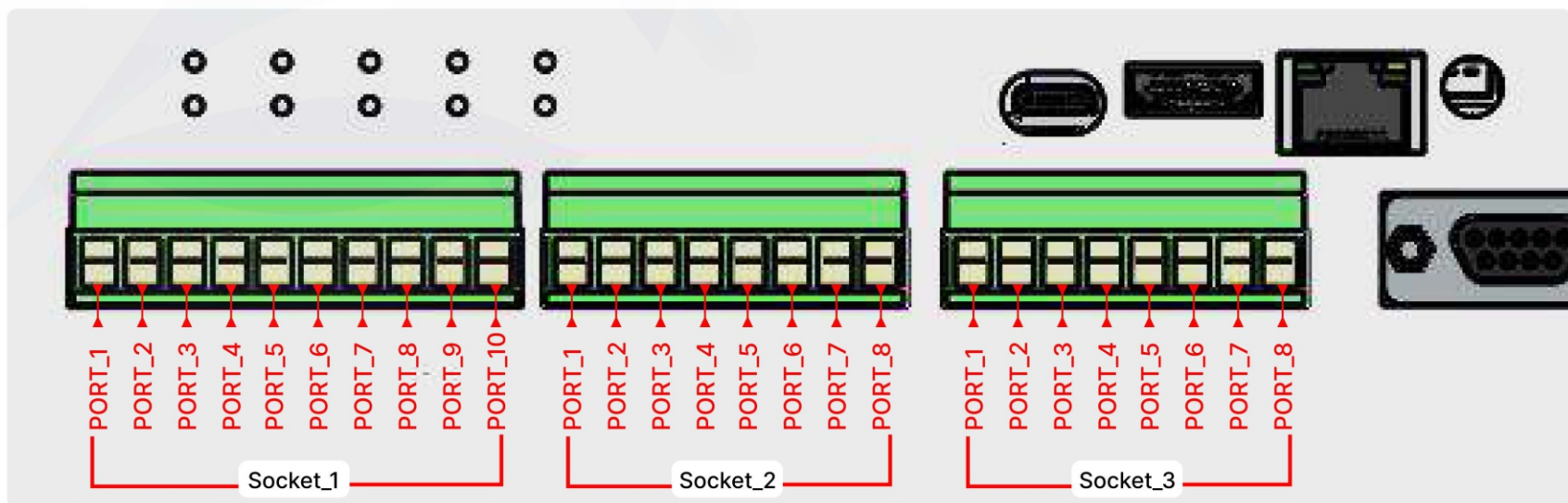


## DATALOGGER Industrial Panel PC

FIGURE\_GENERAL\_VISION



FIGURE\_FOCUS\_TO\_SOCKET



### SOCKET\_1 PORT DESCRIPTION

PORT NAME	DESCRIPTION
PORT_1	12-28 VCC IN
PORT_2	GND
PORT_3	DGND
PORT_4	SENSOR 12-28 VCC OUT
PORT_5	RS485_2 A (+)
PORT_6	RS485_2 B (-)
PORT_7	RS485_1 A (+)
PORT_8	RS485_1 B (-)
PORT_9	GND
PORT_10	DIGITAL IN_1

### SOCKET\_2 PORT DESCRIPTION

PORT NAME	DESCRIPTION
PORT_1	DIGITAL IN_2
PORT_2	DIGITAL IN_3
PORT_3	DIGITAL IN_4
PORT_4	DIGITAL IN_5
PORT_5	DIGITAL IN_6 (Reserved)
PORT_6	ANALOG/PWM OUT_1
PORT_7	ANALOG/PWM OUT_2
PORT_8	ANALOG/PWM OUT_3

### SOCKET\_3 PORT DESCRIPTION

PORT NAME	DESCRIPTION
PORT_1	ANALOG/PWM OUT_4
PORT_2	ANALOG/PWM OUT VCC IN
PORT_3	ANALOG IN_6 (Reserved)
PORT_4	ANALOG IN_5 (Reserved)
PORT_5	ANALOG IN_4 (4_20 mAh)
PORT_6	ANALOG IN_3 (4_20 mAh)
PORT_7	ANALOG IN_2 (4_20 mAh)
PORT_8	ANALOG IN_1 (4_20 mAh)

FIGURE\_FOCUS\_TO\_SOCKET

